

StackLight™ 200 Class 48mm



Edwards 200 Class 48mm StackLight is a versatile signaling device that may contain up to five light modules, or four light modules with one sounder module in a single, integrated stack. The sounder module has been designed so that it is always in the top position.

The lens modules are available with LED light sources as a multi-mode device. The lenses are made from a self-extinguishing polycarbonate material and are scratch and impact resistant.

Features and Specifications

- Multi-mode (flashing or steady-on)
- LED light source
- dB rating: 77dB @ 1 meter/67dB @ 10ft.
- Interlocking system for quick assembly
- Available in gray or black
- Additional mounting options available
- One optional NEMA Type 3R, IP54 rated sounder available:
 - Magnetodynamic: one single tone
- NEMA Type 4X rated
- IP66 rated base and light modules
- Operating temperature range: -22°F to 122°F (-30°C to 50°C)



←1.89"→



1
VISUAL SIGNALS

Ordering Information

Description	Cat. No.*
Wiring Base, Cover and Foot - Gray	248BC

Module Type	Cat. No.*	Operating Voltage ¹	Current	LED Color	
Gray LED Multi-mode Lens Modules	248LEDMB120A	120V AC	0.065 A	Blue	
	248LEDMA120A	120V AC	0.065 A	Amber	
	248LEDMR120A	120V AC	0.065 A	Red	
	248LEDMG120A	120V AC	0.065 A	Green	
	248LEDMY120A	120V AC	0.065 A	Yellow	
	248LEDMW120A	120V AC	0.065 A	White	
	248LEDMB240A	240V AC	0.055 A	Blue	
	248LEDMA240A	240V AC	0.055 A	Amber	
	248LEDMR240A	240V AC	0.055 A	Red	
	248LEDMG240A	240V AC	0.055 A	Green	
	248LEDMY240A	240V AC	0.055 A	Yellow	
	248LEDMW240A	240V AC	0.055 A	White	
	248LEDMB24AD	24V AC/DC	0.030 A	Blue	
	248LEDMA24AD	24V AC/DC	0.030 A	Amber	
	248LEDMR24AD	24V AC/DC	0.030 A	Red	
	248LEDMG24AD	24V AC/DC	0.030 A	Green	
	248LEDMY24AD	24V AC/DC	0.030 A	Yellow	
	248LEDMW24AD	24V AC/DC	0.030 A	White	
	Gray Magnetodynamic Acoustic Modules	248MDA120A	120V AC	0.010 A	
		248MDA240A	240V AC	0.015 A	
248MDA24AD		24V AC/DC	0.130 A		

*NOTE: Add "B" to end of the catalog number for Black unit.

¹AC voltage frequency is 50/60 Hz

AC

AC/DC

77/67 dB

122°F
-22°F
OP TEMP

LED

3R

ENCLOSURE

4X

ENCLOSURE

IP66

ENCLOSURE

IP54

ENCLOSURE

StackLight™

200 Class

48mm

Accessories	
Description	Cat. No.
Junction Box - Gray	270JBX*
Footing with Extension - Gray	270KIT*
Threaded Extension Pole 100mm - Gray	270TEP*
Threaded Footing - Gray	270THF*
Threaded Wall Mount - Gray	270TWM*
Double Threaded Wall Mount - Gray	270TWM2*
270 Flexible Steel Extension Rod - 370mm	270FLXT
270 Stainless Steel Extension Rod - 100mm	270SSXT100
270 Stainless Steel Extension Rod - 200mm	270SSXT200
270 Stainless Steel Extension Rod - 400mm	270SSXT400

***NOTE:** Add "B" to end of the catalog number for Black unit.



Junction Box



Threaded Footing



Footing with Extension



Threaded Extension Pole



100mm 200mm 400mm 370mm
Stainless Steel Extension Rod Flexible Steel Extension Rod



Threaded Wall Mount



Double Threaded Wall Mount

StackLight™

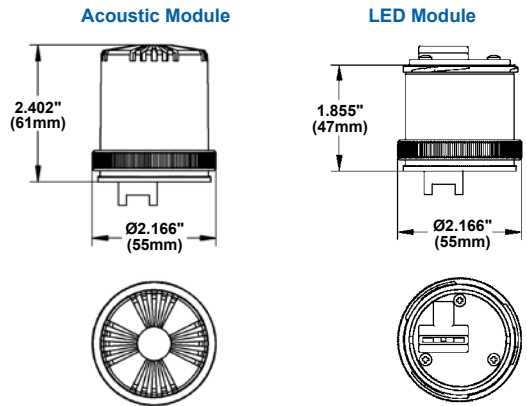
200 Class

48mm

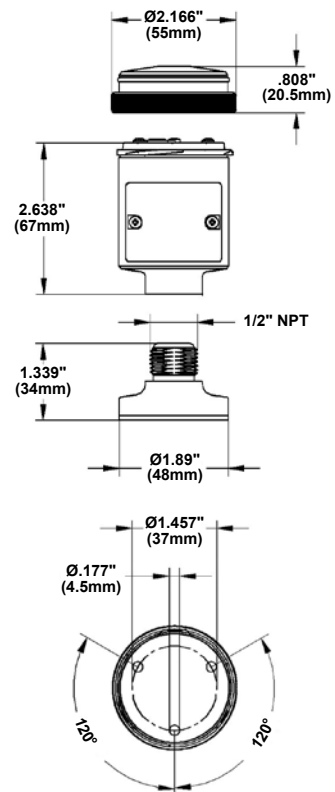
Weights and Dimensions

Cat. No.	Approx. Net Weight (lb.)	Approx. Shipping Weight (lb.)
248BC	0.22	0.72
248LEDM*120A	0.10	0.54
248LEDM*240A	0.10	0.54
248LEDM*24AD	0.10	0.54
248MDA120A	0.40	0.84
248MDA240A	0.40	0.84
248MDA24AD	0.40	0.84
270JBX	0.22	0.09
270KIT	0.13	1.10
270TEP	0.07	0.22
270THF	0.07	0.29
270TWM	0.09	0.59
270TWM2	0.11	0.62
270FLXT	0.57	1.30
270SSXT100	0.31	1.28
270SSXT200	0.40	1.30
270SSXT400	0.62	1.50

*Letter in this position designates lens color: A - amber, B - blue, G - green, R - red, W - clear or Y - yellow



Base, Cover and Foot



VISUAL SIGNALS 1