

# Beacons

## Steady-On Halogen or Incandescent

### 48 Series

Edwards Signaling 48 Series mid-sized, Halogen and Incandescent steady-on beacons are economical, NEMA Type 4X rated devices suitable for indoor or outdoor applications where a continuous (steady-on) light source is required. Base material is gray ABS. Unique snap-on, high-impact polycarbonate double fresnel lens is optically engineered to maximize light distribution and viewing distance.

#### Features and Specifications

- Halogen or Incandescent light source
- Quick snap-on, high-impact polycarbonate lens
- Gray ABS base
- Suitable for use in indoor and outdoor applications
- NEMA Type 4X enclosure
- Option for panel or conduit mounting
- Operating temperature range: -31°F to 150°F (-35°C to 66°C)



VISUAL SIGNALS

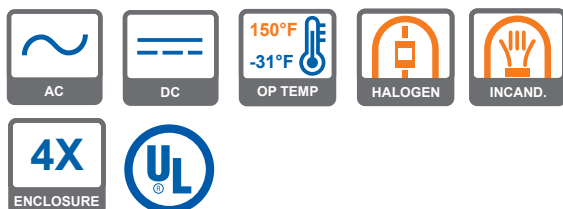
#### Ordering Information

Description	Cat. No.	Operating Voltage	Operating Current	Lamp Ratings <sup>1</sup>	Lens Colors	Replacement	
						Lens	Lamp
Steady-on Beacon Halogen Light Source	48SINR-G5-20WH	24V AC	0.80 A	175 lumens, 2198 candela, 20,000 hr.	Red	96-LR	50LMP-20WH or Ind. Trade No. 1692 <sup>2</sup>
	48SING-G5-20WH	24V AC	0.80 A		Green	96-LG	
	48SINA-G5-20WH	24V AC	0.80 A		Amber	96-LA	
	48SINB-G5-20WH	24V AC	0.80 A		Blue	96-LB	
	48SINC-G5-20WH	24V AC	0.80 A		Clear	96-LC	
	48SINM-G5-20WH	24V AC	0.80 A		Magenta	96-LM	
	48SINR-N5-25WH	120V AC	0.20 A	20 watts, 226 lumens, 2839 candela, 20,000 hr.	Red	96-LR	50LMP-25WH or Ind. Trade No. 25T8DC <sup>2</sup>
	48SING-N5-25WH	120V AC	0.20 A		Green	96-LG	
	48SINA-N5-25WH	120V AC	0.20 A		Amber	96-LA	
	48SINB-N5-25WH	120V AC	0.20 A		Blue	96-LB	
	48SINC-N5-25WH	120V AC	0.20 A		Clear	96-LC	
	48SINM-N5-25WH	120V AC	0.20 A		Magenta	96-LM	
	48SINR-G1-20WH	24V DC	0.80 A	20 watts, 226 lumens, 2839 candela, 20,000 hr.	Red	96-LR	50LMP-20WH or Ind. Trade No. 1692 <sup>2</sup>
	48SING-G1-20WH	24V DC	0.80 A		Green	96-LG	
	48SINA-G1-20WH	24V DC	0.80 A		Amber	96-LA	
	48SINB-G1-20WH	24V DC	0.80 A		Blue	96-LB	
	48SINC-G1-20WH	24V DC	0.80 A		Clear	96-LC	
	48SINM-G1-20WH	24V DC	0.80 A		Magenta	96-LM	
Steady-on Beacons Incandescent Light Source	48SINR-E1	12V DC	1.0 A	189 lumens, 2374 candela, 1,520 hr.	Red	96-LR	Industry Trade No. 94 <sup>3</sup>
	48SING-E1	12V DC	1.0 A		Green	96-LG	
	48SINA-E1	12V DC	1.0 A		Amber	96-LA	
	48SINB-E1	12V DC	1.0 A		Blue	96-LB	
	48SINC-E1	12V DC	1.0 A		Clear	96-LC	
	48SINM-E1	12V DC	1.0 A		Magenta	96-LM	

<sup>1</sup>Projected lamp life based on manufacturer's calculated lamp life at 65 fpm and 50% duty cycle.

<sup>2</sup>Incandescent lamps, user supplied

<sup>3</sup>User supplied



# Beacons

## Steady-On Halogen or Incandescent

### 48 Series

Accessories	
Description	Cat. No.
Gasket Kit suitable for outdoor surface installation – AC models	<b>GSK-KIT</b>
Corner Mount Bracket	<b>CBR</b>
Wall Mount Bracket	<b>WBR</b>



**GSK-KIT**  
Gasket Kit



**CBR**  
Corner Mount Bracket



**WBR**  
Wall Mount Bracket

### Signal Input Load Characteristics

These devices may be operated by PLCs with output characteristics that match the input load requirements of the signal.

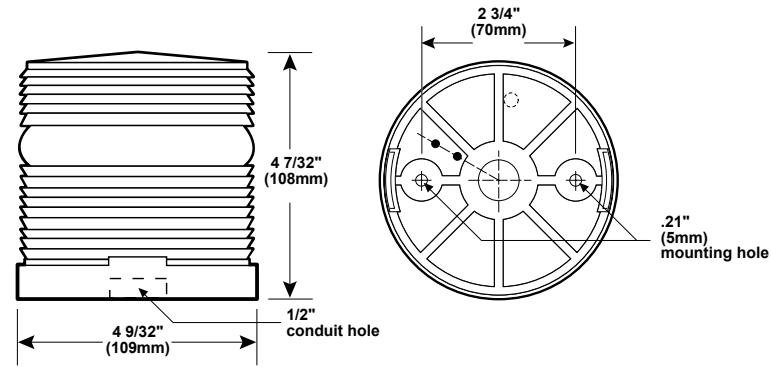
Cat. No.	Operating Voltage	Max. Off State Leakage Current (A)	Continuous On Current (A)	Surge (Inrush/Duration)
<b>48SIN*-N5-25WH</b>	120V AC 50/60 Hz	0.025	0.200	0.8 A / 8 mSeconds
<b>48SIN*-G1-20WH</b>	24V DC	0.025	0.800	0.9 A / 1 mSecond

\*Letter in this position designates lens color: A - amber, B - blue, C - clear, G - green, M - magenta or R - red

### Weights and Dimensions

Cat. No.	Approx. Net Weight (lb.)	Approx. Shipping Weight (lb.)
<b>48SIN*-G5-20WH</b>	0.63	0.79
<b>48SIN*-N5-25WH</b>	0.63	0.79
<b>48SIN*-G1-20WH</b>	0.63	0.79
<b>48SIN*-E1</b>	0.63	0.79
<b>GSK-KIT</b>	0.70	1.00
<b>CBR</b>	4.00	4.20
<b>WBR</b>	2.30	2.50

\*Letter in this position designates lens color: A - amber, B - blue, C - clear, G - green, M - magenta or R - red



Use Cat. No. **GSK-KIT** gasket kit suitable for outdoor surface mount installation on AC units