

Beacons: Explosionproof Steady-On Halogen 116 Series

Edwards 116 Series steady-on beacons are explosionproof signaling devices, suitable for hazardous indoor or outdoor applications. The housing is cast aluminum with a corrosion-resistant epoxy powder coat, and includes a dome guard. The fluted, high-impact glass dome provides even light distribution.

Features and Specifications

- Halogen light source
- Cast aluminum housing with epoxy powder coat and dome guard
- Quick connect for easy assembly and installation
- Suitable for use in indoor, outdoor, hazardous and marine applications
- NEMA Type 3R and Type 4X – Marine Rated
- Diode polarized for use on supervised circuits
- Cast aluminum housing
- Pendant, ceiling, bracket or stanchion mounting options (ordered separately)
- Explosionproof: Class I, Div 2, Groups A and B; Class I, Div 1 and 2, Groups C and D; Class II and III, Div 1, Groups E, F and G; Class II and III, Div 2, Group G



7.25"



NOTE: Mounting options not included (ordered separately)

Ordering Information

Description	Cat. No.	Operating		Peak	Lens	Dome	Replacement		
		Voltage	Current				Candela	Colors	Guard
Steady-on Beacon Halogen	116DEXMSINHA-GW	24 - 28V DC	0.8 A	2838	Amber	116-GRD	116-Globe	116-RIN-LA	50LMP-20WH
	116DEXMSINHB-GW	24 - 28V DC	0.8 A	2838	Blue	116-GRD	116-Globe	116-RIN-LB	20W Halogen
	116DEXMSINHC-GW	24 - 28V DC	0.8 A	2838	Clear	116-GRD	116-Globe	116-RIN-LC	Bulb
	116DEXMSINHG-GW	24 - 28V DC	0.8 A	2838	Green	116-GRD	116-Globe	116-RIN-LG	25,000 hours. ¹
	116DEXMSINHM-GW	24 - 28V DC	0.8 A	2838	Magenta	116-GRD	116-Globe	116-RIN-LM	or Ind. Trade
	116DEXMSINHR-GW	24 - 28V DC	0.8 A	2838	Red	116-GRD	116-Globe	116-RIN-LR	No. 1692 ²

¹Projected lamp life based on manufacturer's calculated lamp life at 65 fpm and 50% duty cycle.

²Incandescent lamp, user supplied

Required Mounting Options

Description	Cat. No.
Wall Bracket Mounting Elbow	116EX-B
Ceiling/Wall Mounting Module	116EX-C
Pendant Mounting Module	116EX-P
Stanchion Mounting Module	116EX-S

Hazardous Location Listings

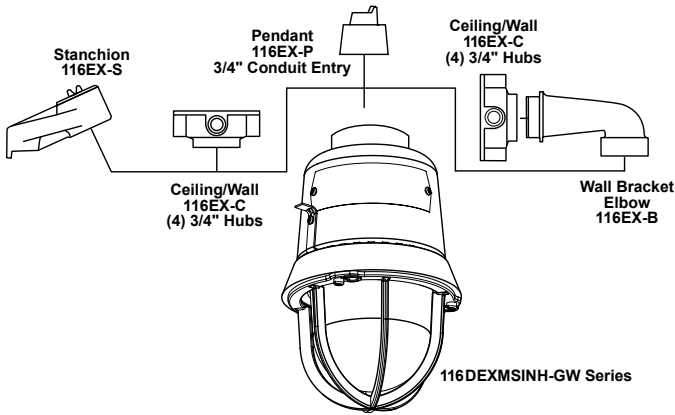
Cat. No.	Ambient Temp.	Supply Wire Temp. Marking	Operating Temperature			
			Class I, Div. 2 Groups A, B	Class I, Div. 1 & 2 Groups C, D	Class II & III, Div. 1 Groups E, F, G	Class II & III, Div. 2 Group G
116DEXMSINH*-GW	40°C	75°C	T3 (200°C)	T6 (85°C)	T4A (120°C)	T4A (120°C)
	55°C	90°C	T3 (200°C)	T6 (85°C)	T4 (135°C)	T4 (135°C)
	65°C	105°C	T2D (215°C)	T6 (85°C)	T4 (135°C)	T4 (135°C)

*Letter in this position designates lens color: A - amber, B - blue, C - clear, G - green, M - magenta, or R - red



Beacons: Explosionproof Steady-On Halogen 116 Series

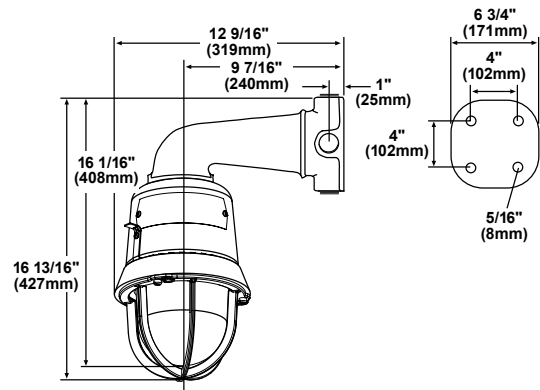
Mounting Options



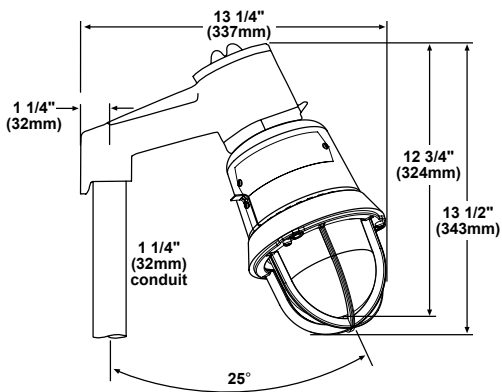
Weights and Dimensions

Cat. No.	Approx. Net Weight (lb.)	Approx. Shipping Weight (lb.)
116DEXMSINHA-GW	11.60	13.0
116DEXMSINHB-GW	11.60	13.0
116DEXMSINHC-GW	11.60	13.0
116DEXMSINHG-GW	11.60	13.0
116DEXMSINHM-GW	11.60	13.0
116DEXMSINHR-GW	11.60	13.0
116EX-B	2.02	2.28
116EX-C	2.50	2.80
116EX-P	1.10	1.26
116EX-S	2.62	2.90

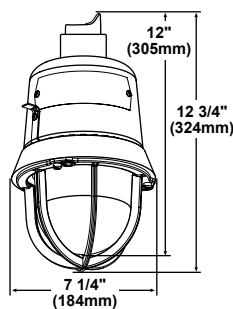
Wall Mount
116EX-B



Stanchion Mount
116EX-S



Pendant Mount
116EX-P



Ceiling Mount
116EX-C

