

Beacons

Flashing Xenon

107 Series

Edwards 107DDV2 and 107DV2 Series Xenon strobe beacons are signaling devices designed for installation in Division 2 environments requiring a NEMA Type 3R or 4X installation. Rigid specifications and state-of-the-art technology provide for high visual output and low maintenance.

The 107DDV2 Series is Diode Polarized for use in electrically supervised circuits. Both versions can be bracket, ceiling or pendant mounted.

Features and Specifications

- Xenon strobe light source
- Flash rate 65 fpm
- High impact glass dome
- Dome Guard (Optional)
- NEMA Type 3R and 4X enclosure
- Suitable for indoor, outdoor and marine applications (Only N5, R5 and S1 are Marine Rated)
- Option for bracket, ceiling or pendant mount
- Bracket and Ceiling Mount: Class I, Div 2, Groups A, B, C, and D; Class II, Div 2, Groups F and G, Class III
- Pendant Mount: Class I, Div 2, Groups A, B, C, and D; Class II, Div 2, Groups F and G, Class III, Class II, Div 1, Groups E, F and G



VISUAL SIGNALS

Ordering Information

Description	Cat. No.	Operating Voltage ¹	Current	Lens Color	Peak Candela	Replacement		
						Inner Lens	Dome	Strobe Tube
Bracket Mount AC	107DV2BSTA-N5	120V AC	0.1 A	Amber	800,000	96-LA	EDVPGL1HR	92-ST 3,000 hr. ²
	107DV2BSTB-N5	120V AC	0.1 A	Blue	800,000	96-LB		
	107DV2BSTC-N5	120V AC	0.1 A	Clear	800,000	96-LC		
	107DV2BSTG-N5	120V AC	0.1 A	Green	800,000	96-LG		
	107DV2BSTM-N5	120V AC	0.1 A	Magenta	800,000	96-LM		
	107DV2BSTR-N5	120V AC	0.1 A	Red	800,000	96-LR		
	107DV2BSTA-R5	240V AC	0.05 A	Amber	800,000	96-LA	EDVPGL1HR	92-ST 3,000 hr. ²
	107DV2BSTB-R5	240V AC	0.05 A	Blue	800,000	96-LB		
	107DV2BSTC-R5	240V AC	0.05 A	Clear	800,000	96-LC		
	107DV2BSTG-R5	240V AC	0.05 A	Green	800,000	96-LG		
	107DV2BSTM-R5	240V AC	0.05 A	Magenta	800,000	96-LM		
	107DV2BSTR-R5	240V AC	0.05 A	Red	800,000	96-LR		
Bracket Mount DC	107DV2BSTA-EK	12 - 48V DC	1.2 A - 0.38 A	Amber	800,000	96-LA	EDVPGL1HR	92-ST 3,000 hr. ²
	107DV2BSTB-EK	12 - 48V DC	1.2 A - 0.38 A	Blue	800,000	96-LB		
	107DV2BSTC-EK	12 - 48V DC	1.2 A - 0.38 A	Clear	800,000	96-LC		
	107DV2BSTG-EK	12 - 48V DC	1.2 A - 0.38 A	Green	800,000	96-LG		
	107DV2BSTM-EK	12 - 48V DC	1.2 A - 0.38 A	Magenta	800,000	96-LM		
	107DV2BSTR-EK	12 - 48V DC	1.2 A - 0.38 A	Red	800,000	96-LR		
	107DV2BSTA-S1	250V DC	0.1 A	Amber	800,000	96-LA	EDVPGL1HR	92-ST 3,000 hr. ²
	107DV2BSTB-S1	250V DC	0.1 A	Blue	800,000	96-LB		
	107DV2BSTC-S1	250V DC	0.1 A	Clear	800,000	96-LC		
	107DV2BSTG-S1	250V DC	0.1 A	Green	800,000	96-LG		
	107DV2BSTM-S1	250V DC	0.1 A	Magenta	800,000	96-LM		
	107DV2BSTR-S1	250V DC	0.1 A	Red	800,000	96-LR		

¹AC voltage frequency is 60 Hz

²Calculated at operating power to 75% efficiency.



Beacons

Flashing Xenon

107 Series

Ordering Information		Continued						Replacement		
Description	Cat. No.	Operating Voltage ¹	Current	Lens Color	Peak Candela	Replacement				
						Inner Lens	Dome	Strobe Tube		
Ceiling Mount AC	107DV2CSTA-N5	120V AC	0.1 A	Amber	800,000	96-LA	EDVPG11HR	92-ST 3,000 hr. ²		
	107DV2CSTB-N5	120V AC	0.1 A	Blue	800,000	96-LB				
	107DV2CSTC-N5	120V AC	0.1 A	Clear	800,000	96-LC				
	107DV2CSTG-N5	120V AC	0.1 A	Green	800,000	96-LG				
	107DV2CSTM-N5	120V AC	0.1 A	Magenta	800,000	96-LM				
	107DV2CSTR-N5	120V AC	0.1 A	Red	800,000	96-LR				
	107DV2CSTA-R5	240V AC	0.05 A	Amber	800,000	96-LA	EDVPG11HR	92-ST 3,000 hr. ²		
	107DV2CSTB-R5	240V AC	0.05 A	Blue	800,000	96-LB				
	107DV2CSTC-R5	240V AC	0.05 A	Clear	800,000	96-LC				
	107DV2CSTG-R5	240V AC	0.05 A	Green	800,000	96-LG				
	107DV2CSTM-R5	240V AC	0.05 A	Magenta	800,000	96-LM				
	107DV2CSTR-R5	240V AC	0.05 A	Red	800,000	96-LR				
Ceiling Mount DC	107DV2CSTA-EK	12 - 48V DC	1.2 A	Amber	800,000	96-LA	EDVPG11HR	92-ST 3,000 hr. ²		
	107DV2CSTB-EK	12 - 48V DC	1.2 A	Blue	800,000	96-LB				
	107DV2CSTC-EK	12 - 48V DC	1.2 A	Clear	800,000	96-LC				
	107DV2CSTG-EK	12 - 48V DC	1.2 A	Green	800,000	96-LG				
	107DV2CSTM-EK	12 - 48V DC	1.2 A	Magenta	800,000	96-LM				
	107DV2CSTR-EK	12 - 48V DC	1.2 A	Red	800,000	96-LR				
	107DV2CSTA-S1	250V DC	0.1 A	Amber	800,000	96-LA	EDVPG11HR	92-ST 3,000 hr. ²		
	107DV2CSTB-S1	250V DC	0.1 A	Blue	800,000	96-LB				
	107DV2CSTC-S1	250V DC	0.1 A	Clear	800,000	96-LC				
	107DV2CSTG-S1	250V DC	0.1 A	Green	800,000	96-LG				
	107DV2CSTM-S1	250V DC	0.1 A	Magenta	800,000	96-LM				
	107DV2CSTR-S1	250V DC	0.1 A	Red	800,000	96-LR				
Pendant Mount AC	107DV2PSTA-N5	120V AC	0.1 A	Amber	800,000	96-LA	EDVPG11HR	92-ST 3,000 hr. ²		
	107DV2PSTB-N5	120V AC	0.1 A	Blue	800,000	96-LB				
	107DV2PSTC-N5	120V AC	0.1 A	Clear	800,000	96-LC				
	107DV2PSTG-N5	120V AC	0.1 A	Green	800,000	96-LG				
	107DV2PSTM-N5	120V AC	0.1 A	Magenta	800,000	96-LM				
	107DV2PSTR-N5	120V AC	0.1 A	Red	800,000	96-LR				
	107DV2PSTA-R5	240V AC	0.05 A	Amber	800,000	96-LA	EDVPG11HR	92-ST 3,000 hr. ²		
	107DV2PSTB-R5	240V AC	0.05 A	Blue	800,000	96-LB				
	107DV2PSTC-R5	240V AC	0.05 A	Clear	800,000	96-LC				
	107DV2PSTG-R5	240V AC	0.05 A	Green	800,000	96-LG				
	107DV2PSTM-R5	240V AC	0.05 A	Magenta	800,000	96-LM				
	107DV2PSTR-R5	240V AC	0.05 A	Red	800,000	96-LR				
Pendant Mount DC	107DV2PSTA-EK	12 - 48V DC	1.2 A	Amber	800,000	96-LA	EDVPG11HR	92-ST 3,000 hr. ²		
	107DV2PSTB-EK	12 - 48V DC	1.2 A	Blue	800,000	96-LB				
	107DV2PSTC-EK	12 - 48V DC	1.2 A	Clear	800,000	96-LC				
	107DV2PSTG-EK	12 - 48V DC	1.2 A	Green	800,000	96-LG				
	107DV2PSTM-EK	12 - 48V DC	1.2 A	Magenta	800,000	96-LM				
	107DV2PSTR-EK	12 - 48V DC	1.2 A	Red	800,000	96-LR				
	107DV2PSTA-S1	250V DC	0.1 A	Amber	800,000	96-LA	EDVPG11HR	92-ST 3,000 hr. ²		
	107DV2PSTB-S1	250V DC	0.1 A	Blue	800,000	96-LB				
	107DV2PSTC-S1	250V DC	0.1 A	Clear	800,000	96-LC				
	107DV2PSTG-S1	250V DC	0.1 A	Green	800,000	96-LG				
	107DV2PSTM-S1	250V DC	0.1 A	Magenta	800,000	96-LM				
	107DV2PSTR-S1	250V DC	0.1 A	Red	800,000	96-LR				

¹AC voltage frequency is 60 Hz

²Calculated at operating power to 75% efficiency.

Beacons

Flashing Xenon

107 Series

Ordering Information		Continued						
Description	Cat. No.	Operating Voltage	Current	Lens Colors	Peak Candela	Replacement		
						Inner Lens	Dome	Strobe Tube
Diode Polarized Bracket Mount	107DDV2BSTA-G1	24V DC	1.4 A	Amber	800,000	96-LA	EDVPGL1HR	92-ST 3,000 hr. ¹
	107DDV2BSTB-G1	24V DC	1.4 A	Blue	800,000	96-LB		
	107DDV2BSTC-G1	24V DC	1.4 A	Clear	800,000	96-LC		
	107DDV2BSTG-G1	24V DC	1.4 A	Green	800,000	96-LG		
	107DDV2BSTM-G1	24V DC	1.4 A	Magenta	800,000	96-LM		
	107DDV2BSTR-G1	24V DC	1.4 A	Red	800,000	96-LR		
Diode Polarized Ceiling Mount	107DDV2CSTA-G1	24V DC	1.4 A	Amber	800,000	96-LA	EDVPGL1HR	92-ST 3,000 hr. ¹
	107DDV2CSTB-G1	24V DC	1.4 A	Blue	800,000	96-LB		
	107DDV2CSTC-G1	24V DC	1.4 A	Clear	800,000	96-LC		
	107DDV2CSTG-G1	24V DC	1.4 A	Green	800,000	96-LG		
	107DDV2CSTM-G1	24V DC	1.4 A	Magenta	800,000	96-LM		
	107DDV2CSTR-G1	24V DC	1.4 A	Red	800,000	96-LR		
Diode Polarized Pendant Mount	107DDV2PSTA-G1	24V DC	1.4 A	Amber	800,000	96-LA	EDVPGL1HR	92-ST 3,000 hr. ¹
	107DDV2PSTB-G1	24V DC	1.4 A	Blue	800,000	96-LB		
	107DDV2PSTC-G1	24V DC	1.4 A	Clear	800,000	96-LC		
	107DDV2PSTG-G1	24V DC	1.4 A	Green	800,000	96-LG		
	107DDV2PSTM-G1	24V DC	1.4 A	Magenta	800,000	96-LM		
	107DDV2PSTR-G1	24V DC	1.4 A	Red	800,000	96-LR		

¹Calculated at operating power to 75% efficiency.

Accessories	
Description	Cat. No.
Optional Dome Guard	EDVPGU1

Hazardous Location Listings						
Cat. No.	Class	Division	Group	Ambient Temperature	Operating Temperature Code	
107DV2 [†] ST*-N5	I	2	A, B, C, D	40°C (104°F)	T2 (300°C, 572°F)	
107DV2 [†] ST*-R5				55°C (131°F)	T1 (450°C, 842°F)	
107DV2 [†] ST*-EK				65°C (149°F)	T1 (450°C, 842°F)	
107DV2 [†] ST*-S1	II	1	E, F, G	40°C (104°F)	T4A (120°C, 248°F)	
107DDV2BST*-G1				55°C (131°F)	T4 (135°C, 275°F)	
107DDV2CST*-G1		2	F, G	65°C (149°F)	T3C (160°C, 320°F)	
107DDV2PST*-G1	III	1 and 2				

*Letter in this position designates color of the globe: A - amber, B - blue, C - clear, G - green, R - red or M - magenta.

[†]Insert "B" for bracket mount, "C" for ceiling mount, or "P" for pendant mount.

Beacons

Flashing Xenon

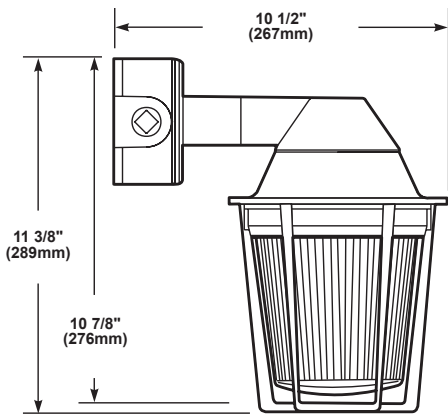
107 Series

Weights and Dimensions

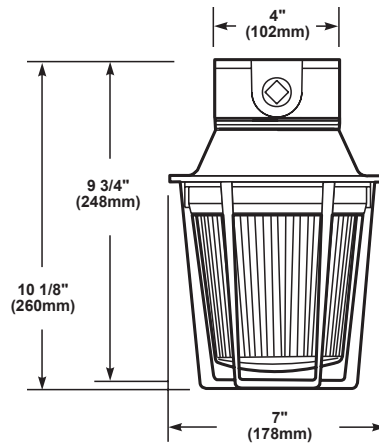
Cat. No.	Approx. Net Weight (lb.)	Approx. Shipping Weight (lb.)
107DV2BST*-N5	6.36	10.83
107DV2BST*-R5	6.36	10.83
107DV2BST*-EK	6.70	11.16
107DV2BST*-S1	6.70	11.16
107DV2CST*-N5	5.30	9.76
107DV2CST*-R5	5.30	9.76
107DV2CST*-EK	5.63	10.10
107DV2CST*-S1	5.63	10.10
107DV2PST*-N5	3.80	8.26
107DV2PST*-R5	3.80	8.26
107DV2PST*-EK	4.13	8.60
107DV2PST*-S1	4.13	8.60
107DDV2BST*-G1	6.81	11.27
107DDV2CBST*-G1	5.74	10.21
107DDV2PST*-G1	4.24	8.71

*Letter in this position designates lens color: A - amber, B - blue, C - clear, G - green, M - magenta or R - red

Bracket Mounting



Ceiling Mounting



Pendant Mounting

