

# Speaker/Amp

## Remote Speaker Amplifier

### Millennium Class



Millennium Class System Speaker Amplifiers have been designed for high decibel system operation when connected to the 5540M Central Tone Generator or 5541M System Master Panel.

#### Features and Specifications

- Output up to 120dB @ 1m (110dB @ 10ft.) **(5532M)**
- Output up to 123dB @ 1m (113dB @ 10ft.) **(5532MHV)**
- Corrosion resistant electrostatic heat flowed epoxy finish
- Individual volume control
- Suitable for Division 2 Locations
- Captive Components
- RS485 model available
- 24V DC battery backup terminals
- NEMA Type 3R and IP44 rated
- UL listed for Class 1, Div. 2, Groups A, B,C and D; Class II, Div. 2, Groups F and G; and Class III hazardous locations

#### Ordering Information

Description	Cat. No.	Operating Voltage <sup>1</sup>	Signal Off Standby Current (Amps)	Signal On Operating Current (Amps)
High Decibel	5532M-AQ	24V DC	0.10 A	0.7 A
		24V AC	0.10 A	1.3 A
	5532M-N5	120V AC	0.10 A	0.36 A
		5532M-Y6	120-240V AC 125-250V DC	0.10 A 0.10-0.02 A
High Decibel, 30 Watt	5532MHV-AQ	24V DC	0.10 A	1.5 A
		24V AC	0.10 A	2.3 A
	5532MHV-Y6	120-240V AC 125-250V DC	0.10 A 0.10 A	0.56-0.34 A 0.39-0.19 A

<sup>1</sup>AC voltage frequency is 50/60 Hz.



# Speaker/Amp

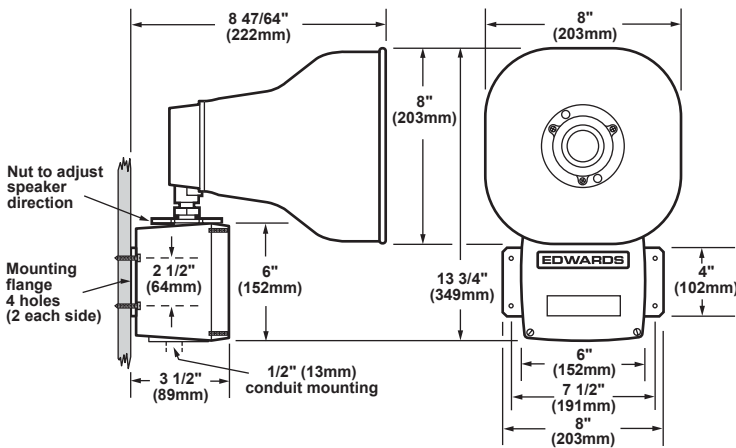
## Remote Speaker Amplifier

### Millennium Class

#### Weights and Dimensions

Cat. No.	Approx. Net Weight (lb.)	Approx. Shipping Weight (lb.)
5532M-AQ	10.60	13.20
5532M-N5	10.60	13.20
5532M-Y6	10.60	13.20
5532MHV-AQ	10.60	13.20
5532MHV-Y6	10.60	13.20

#### 5532M Series



#### 5532MHV Series

